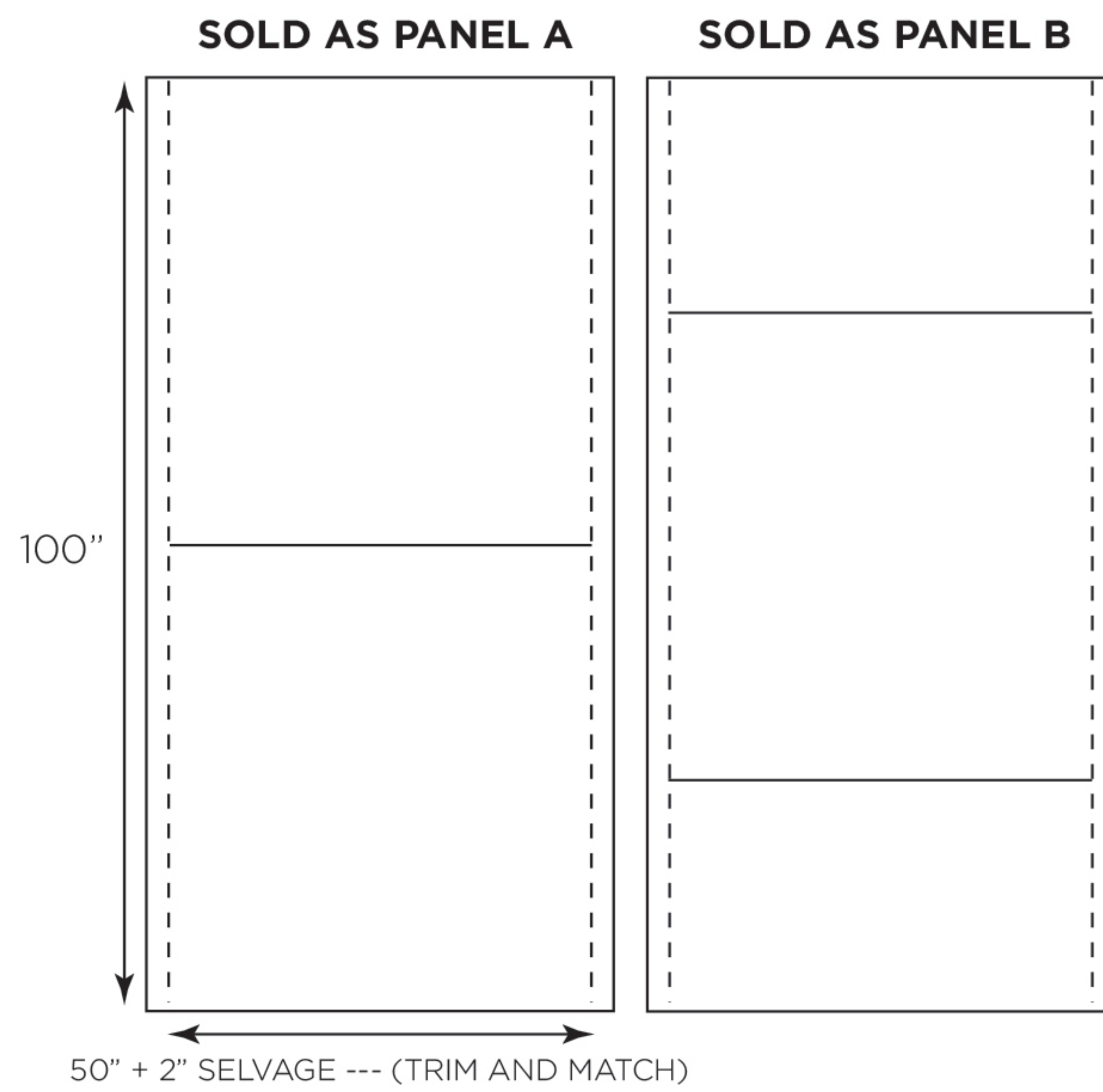
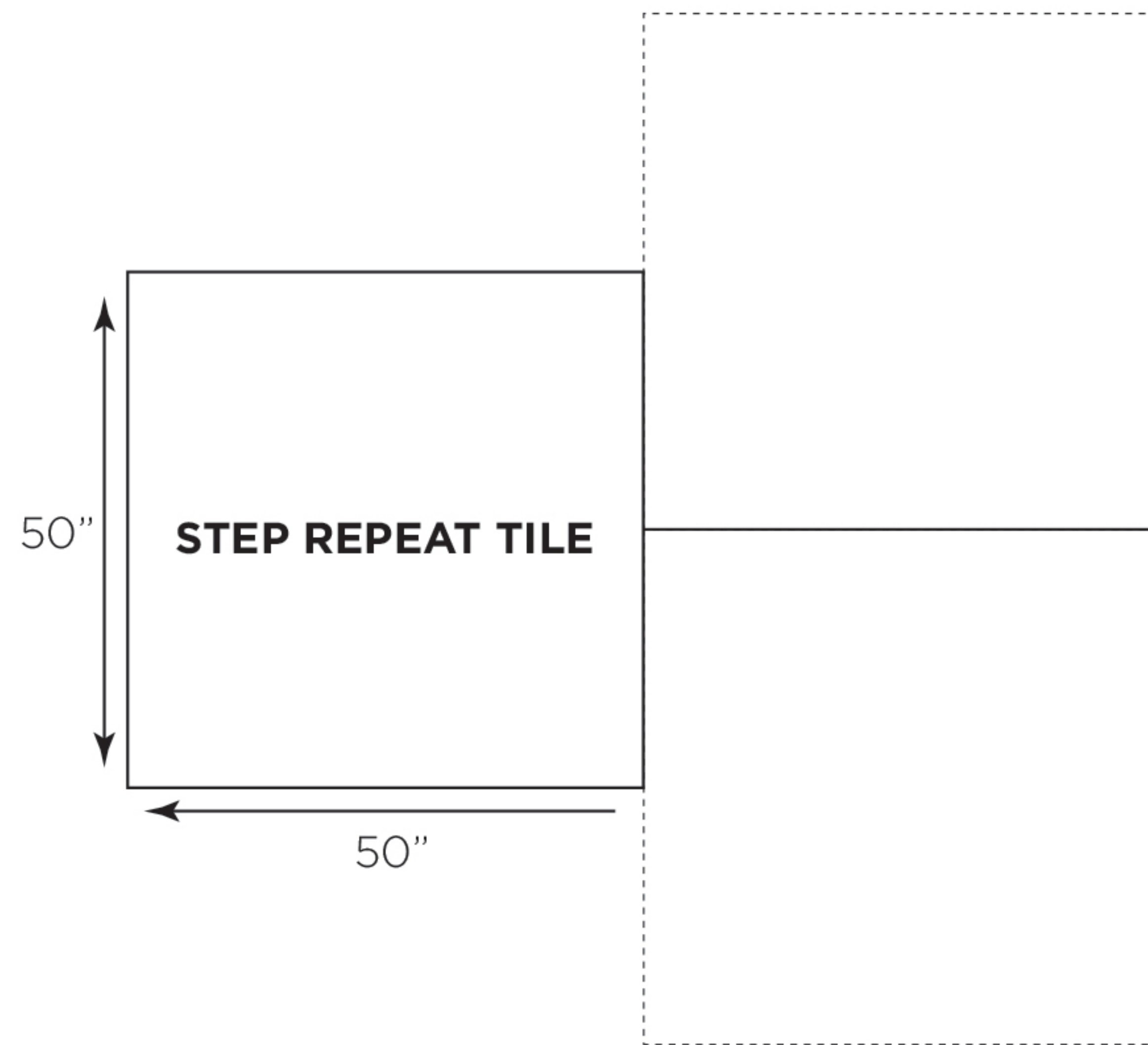




## DIGS005 | PORTER | LET'S DO IT | 50 | TECH PACK 1

ALL WALLPAPER IS CUSTOM PRINTED TO ORDER  
This is a Step Repeat Tile measures 50"

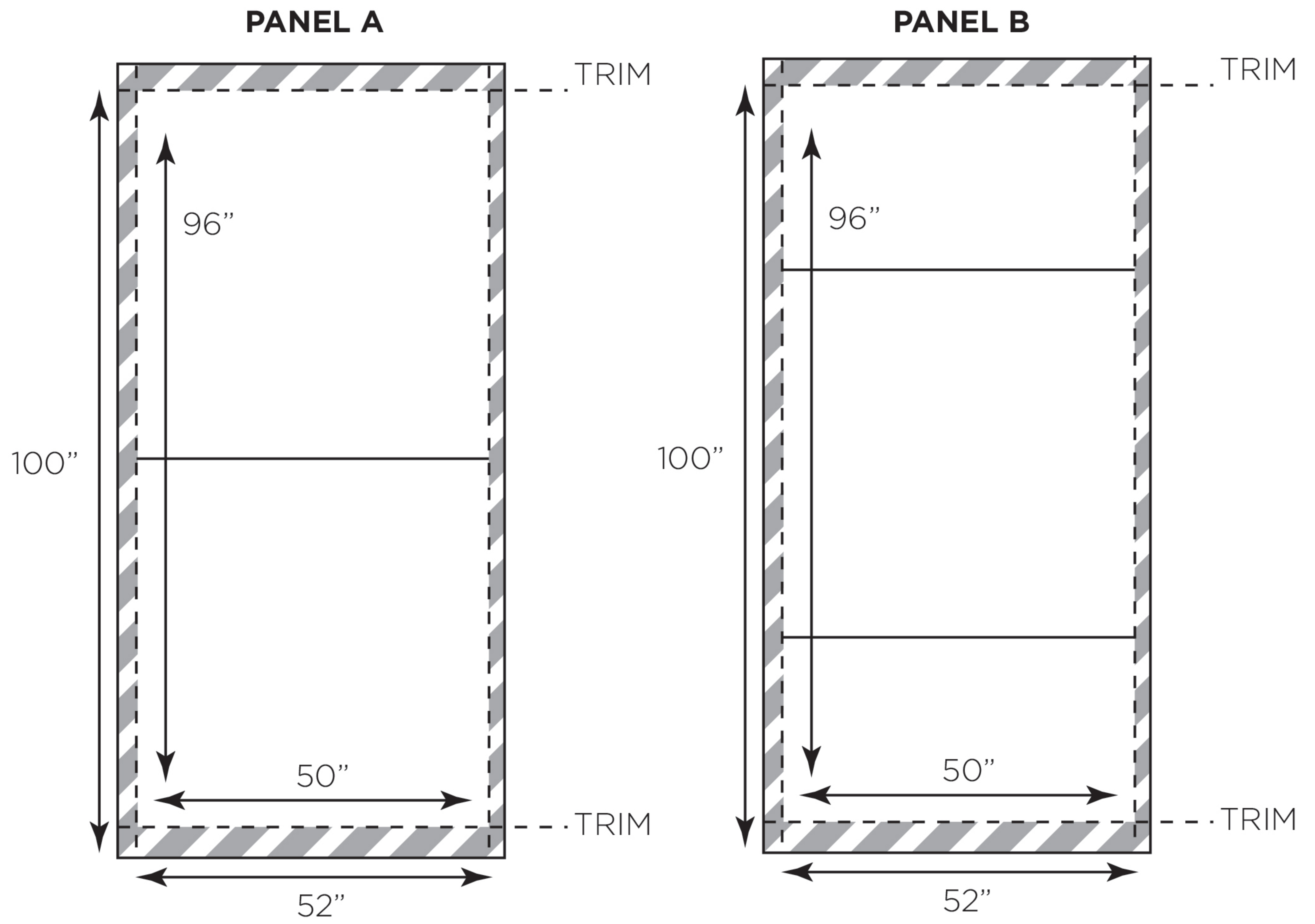


For the installer to trim and match, 1" left and right is in addition to the 50"  
Standard ceiling\* = 96" this design allows 2" selvage top and bottom of panels to trim and match  
\*this may vary, please email if you require taller dimensions



## DIGS005 | PORTER | LET'S DO IT | 50 | TECH PACK 2

ALL WALLPAPER IS CUSTOM PRINTED TO ORDER



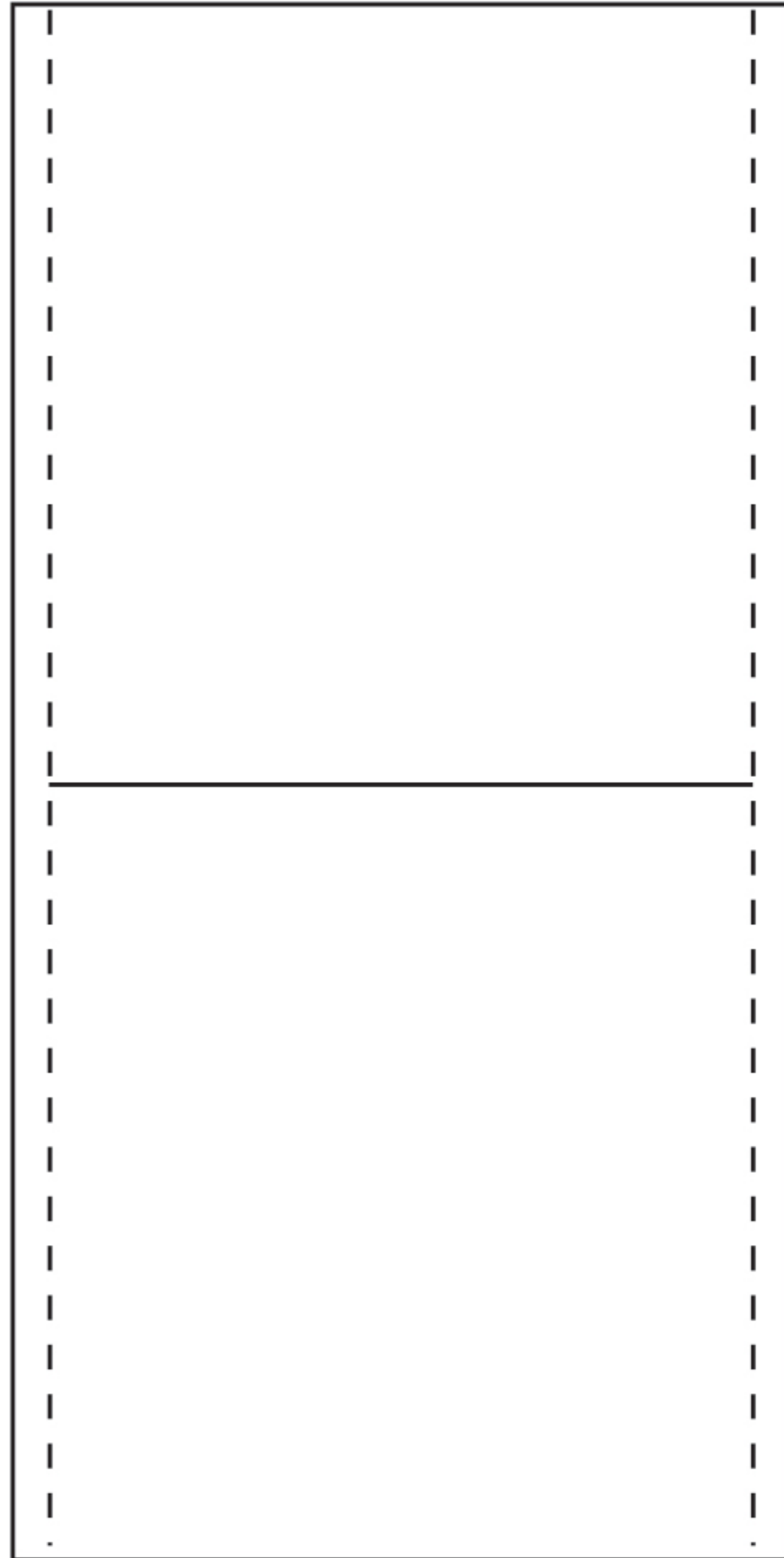




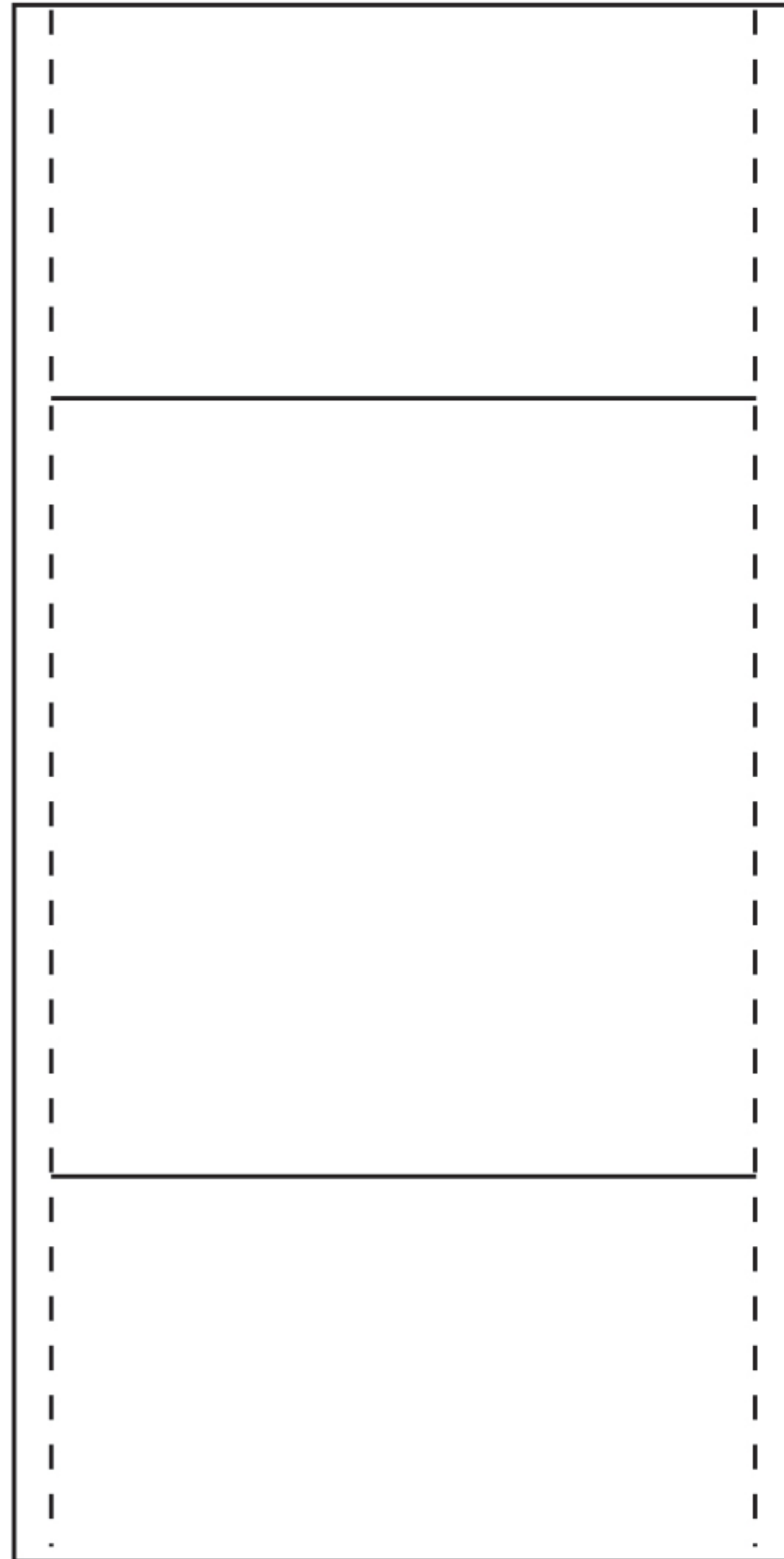
**DIGS005 | PORTER | LET'S DO IT | 50 | TECH PACK 3**

ALL WALLPAPER IS CUSTOM PRINTED TO ORDER

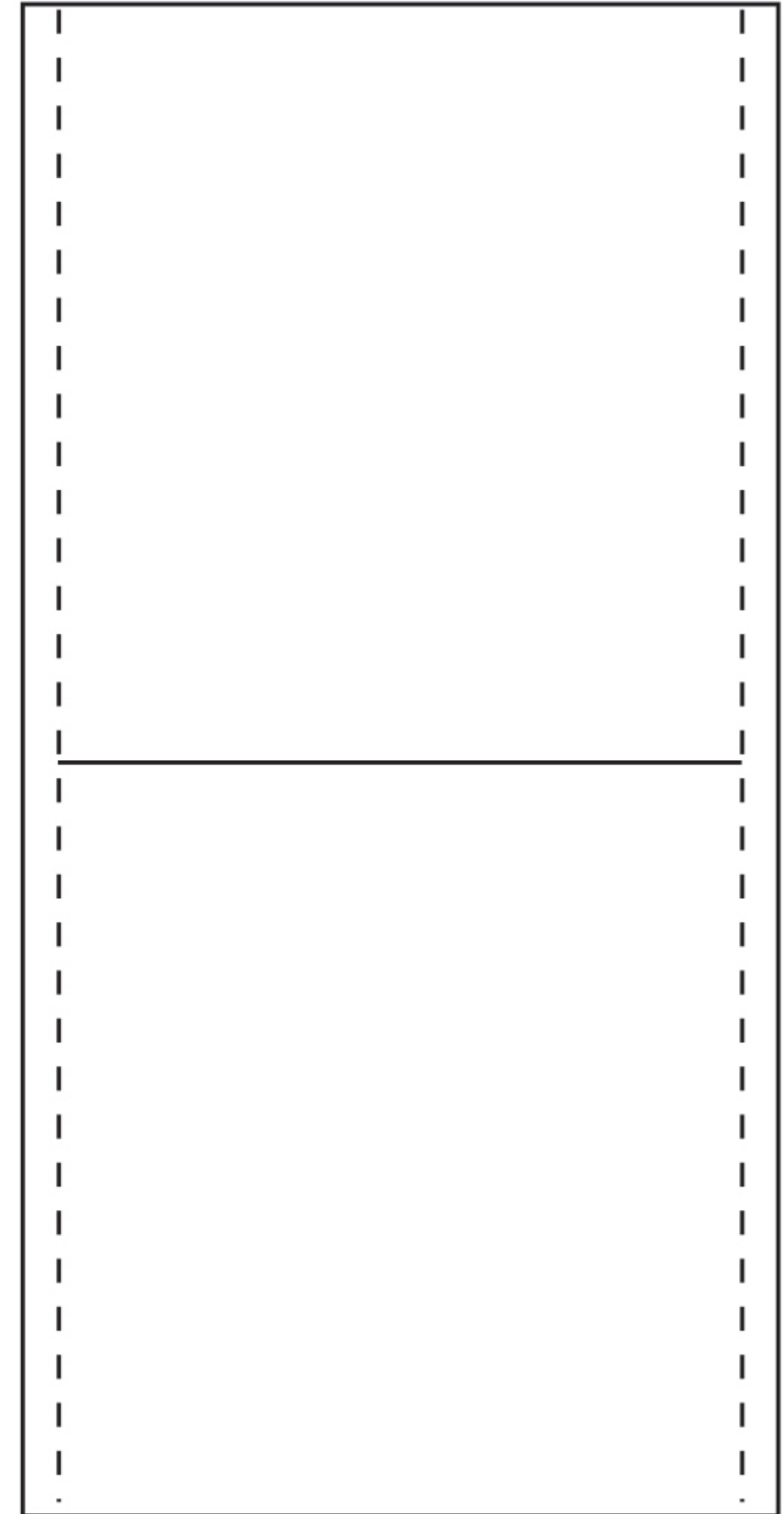
**SOLD AS PANEL A**



**SOLD AS PANEL B**



**SOLD AS PANEL A**

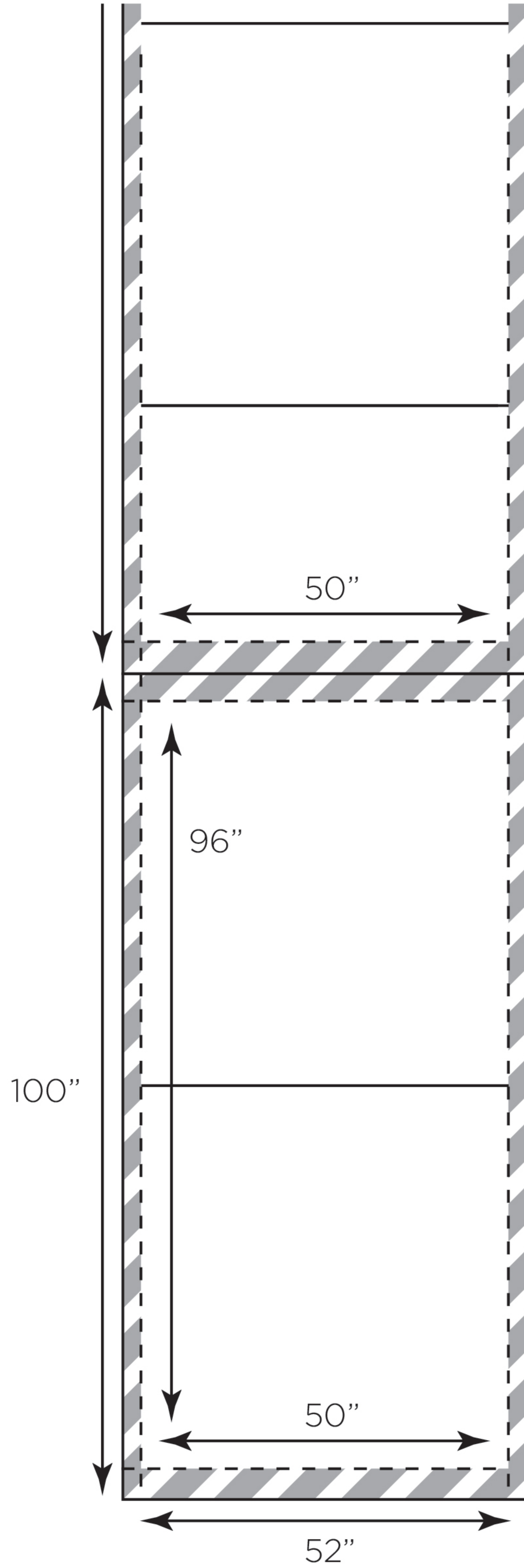


PANEL A FITS TO PANEL B  
B FITS TO A



## DIGS005 | PORTER | LET'S DO IT | 50 | TECH PACK 4

WALLPAPER WILL BE DISPATCHED IN ONE CONTINUOUS ROLL FOR THE REQUIRED AMOUNT



©

*Welcome to the Bright Side™*





## DIGS005 | PORTER | LET'S DO IT | 50 | TECH PACK 5

USE THIS SHEET FOR YOUR DRAWING AND CALCULATIONS\*

### WORKSHEET HOW MUCH DO YOU NEED?

**PANEL A** x \_\_\_\_\_

**PANEL B** x \_\_\_\_\_

*\* All calculations are the responsibility of the purchaser*