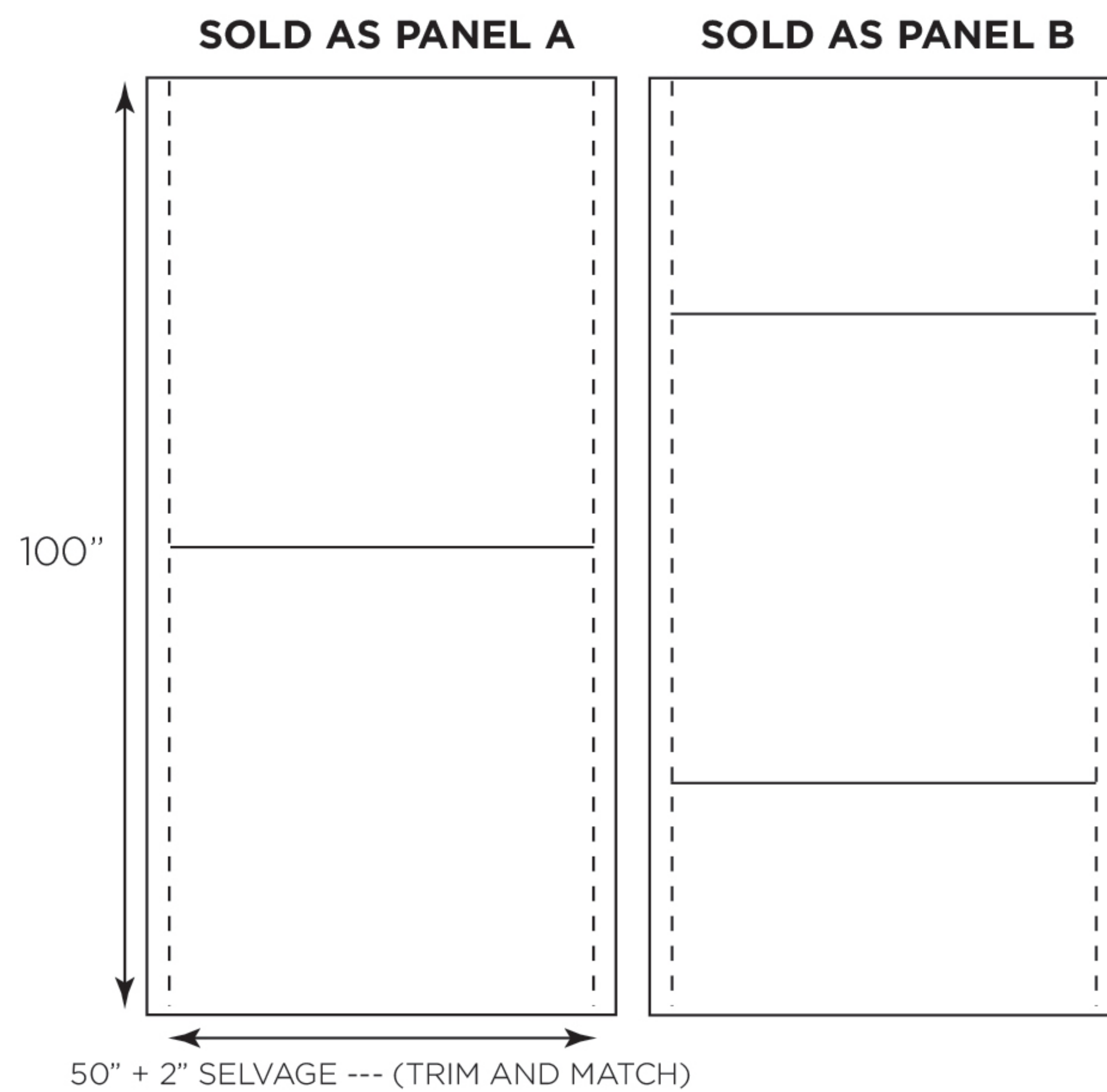
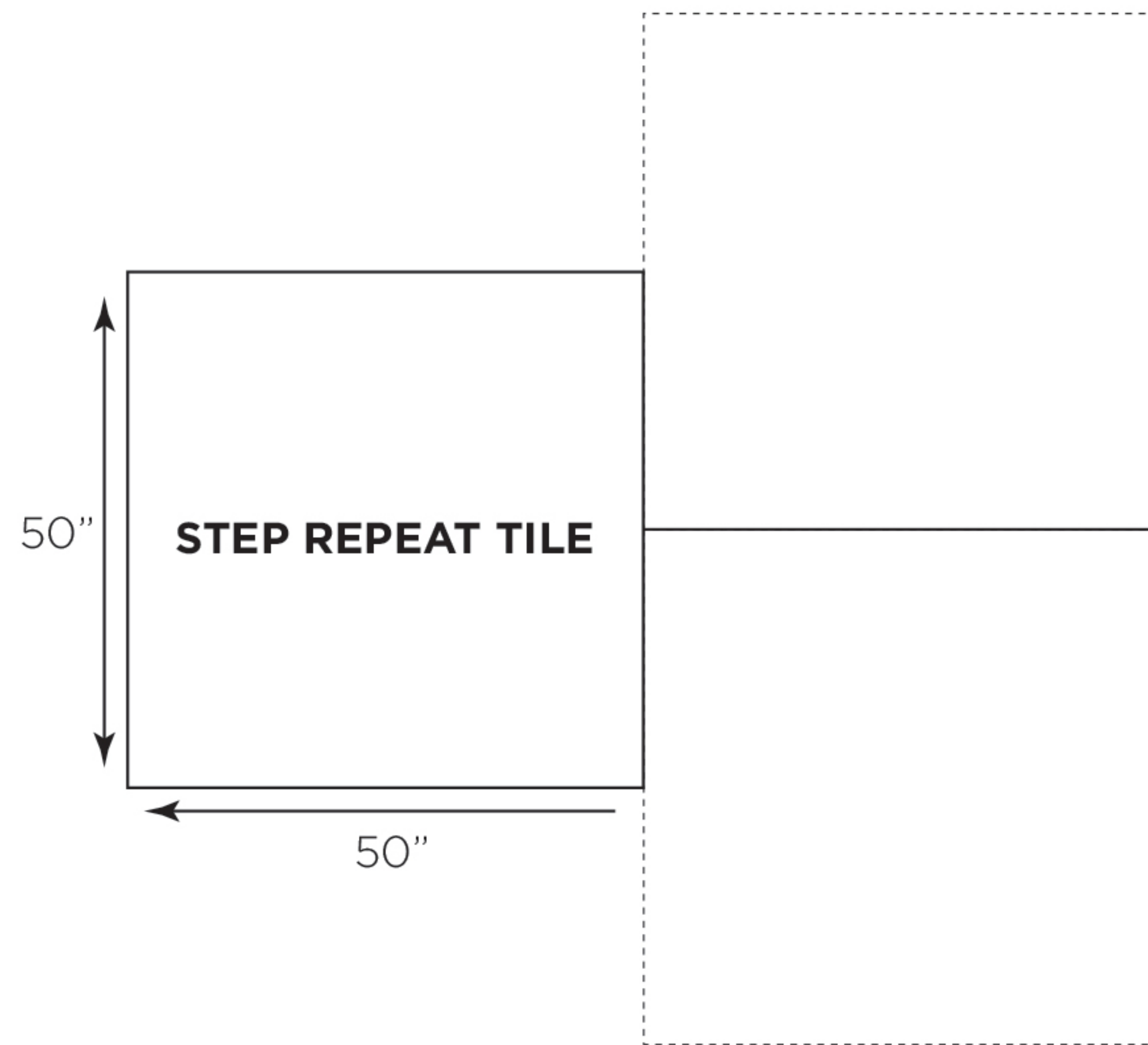




## DIGS004 | DAYA | SSLP | 50 | TECH PACK 1

ALL WALLPAPER IS CUSTOM PRINTED TO ORDER  
This is a Step Repeat Tile measures 50"

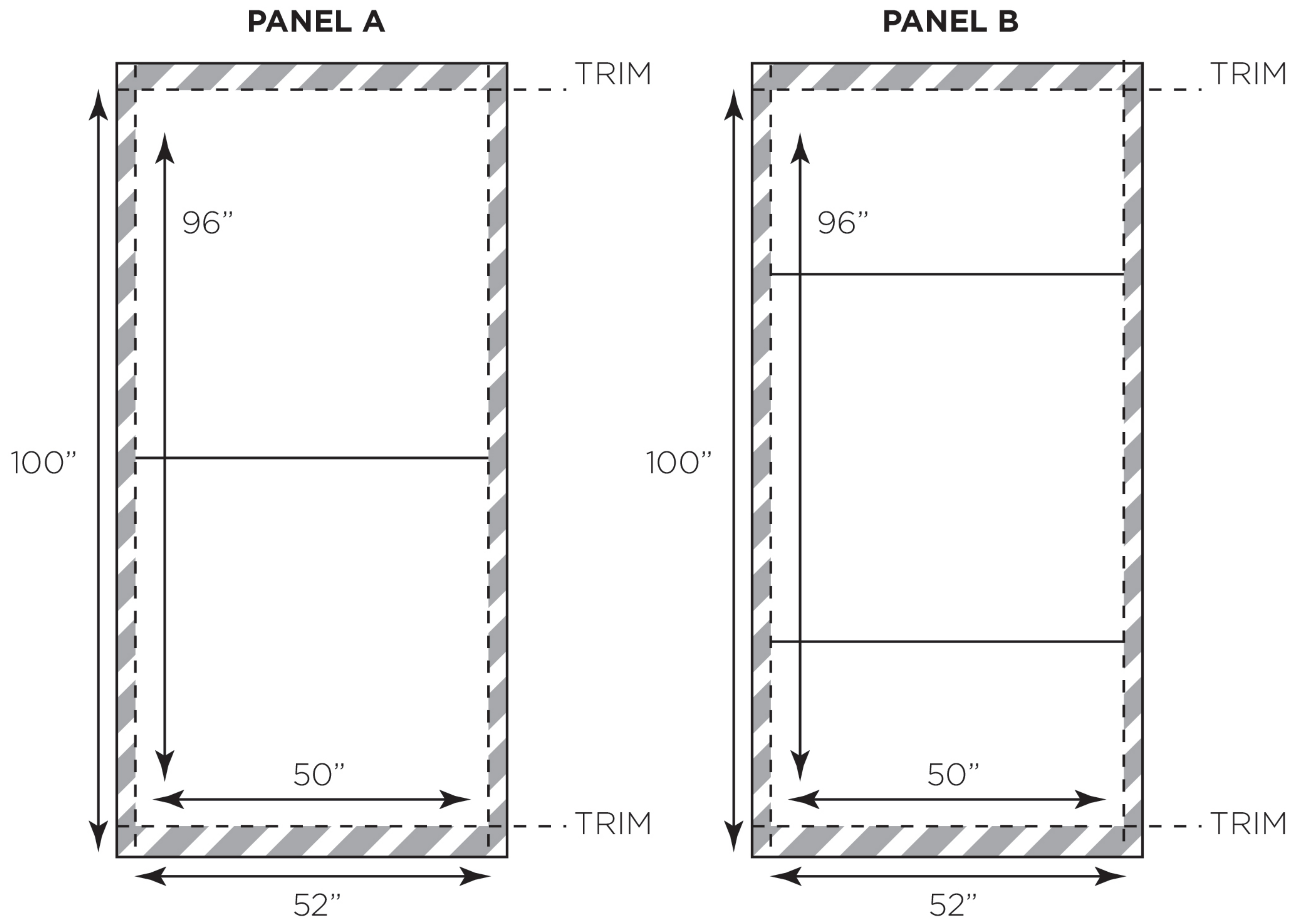


For the installer to trim and match, 1" left and right is in addition to the 50"  
Standard ceiling\* = 96" this design allows 2" selvage top and bottom of panels to trim and match  
\*this may vary, please email if you require taller dimensions



**DIGS004 | DAYA | SSLP | 50 | TECH PACK 2**

ALL WALLPAPER IS CUSTOM PRINTED TO ORDER

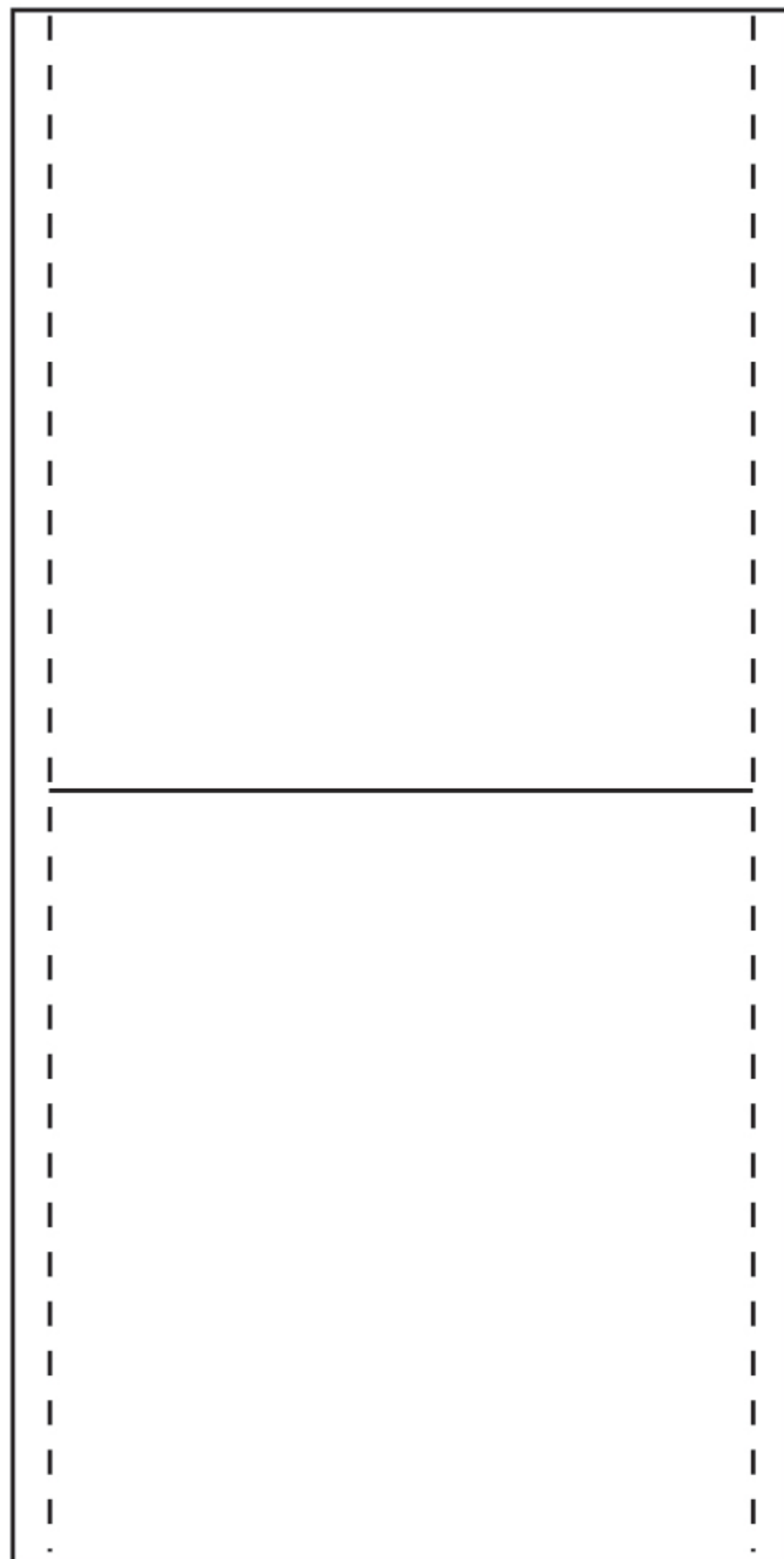




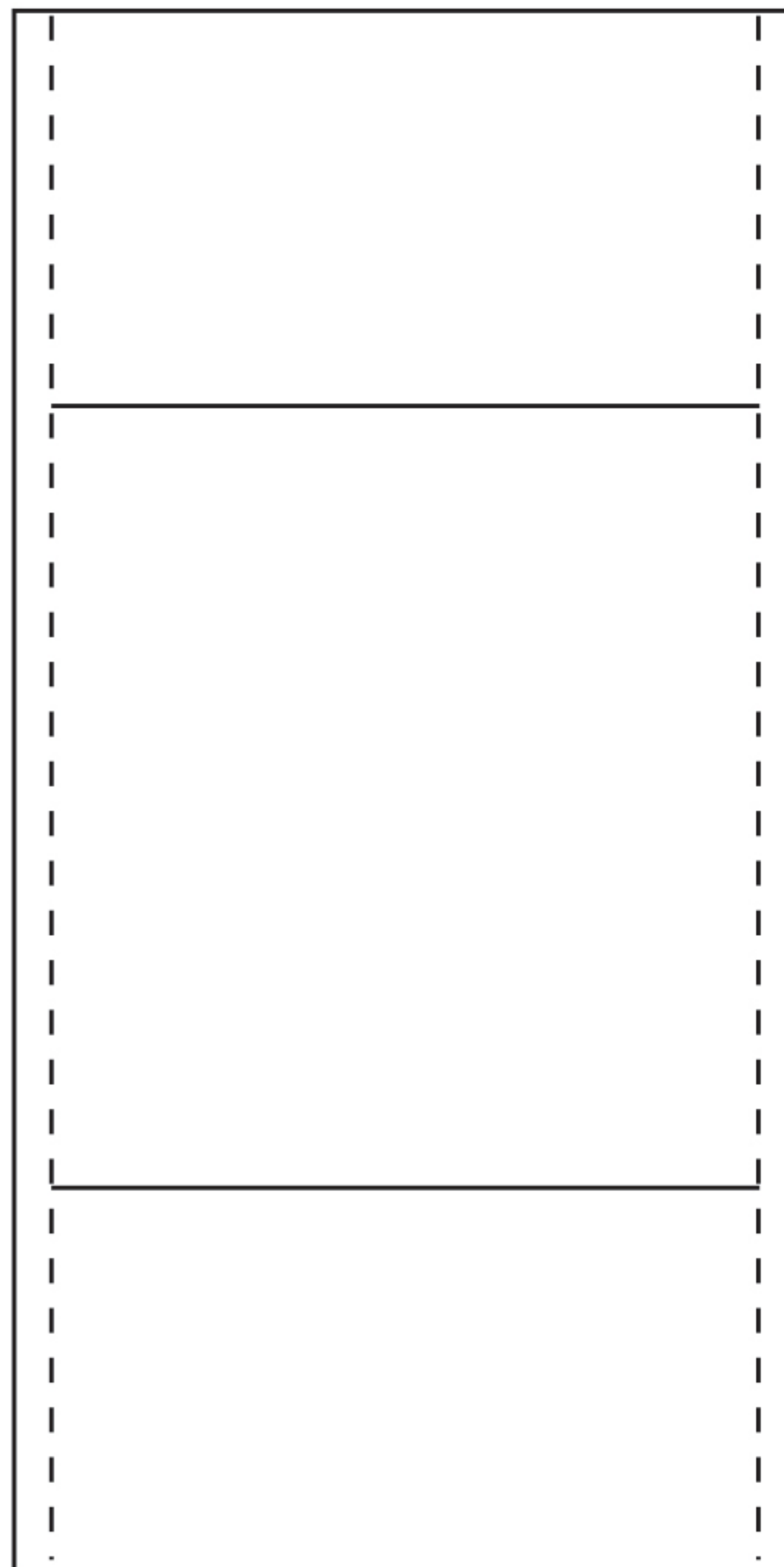
**DIGS004 | DAYA | SSLP | 50 | TECH PACK 3**

ALL WALLPAPER IS CUSTOM PRINTED TO ORDER

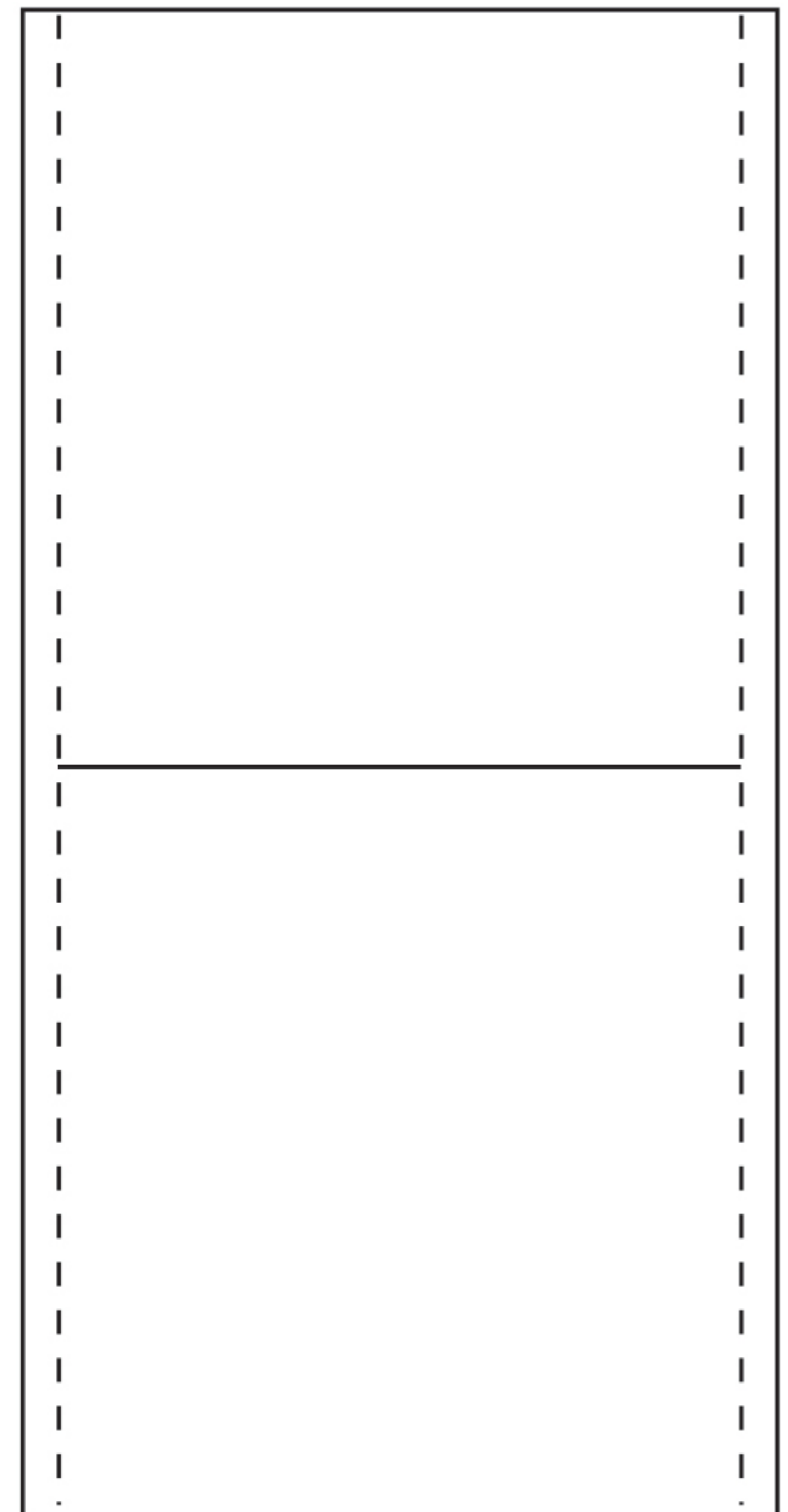
**SOLD AS PANEL A**



**SOLD AS PANEL B**



**SOLD AS PANEL A**

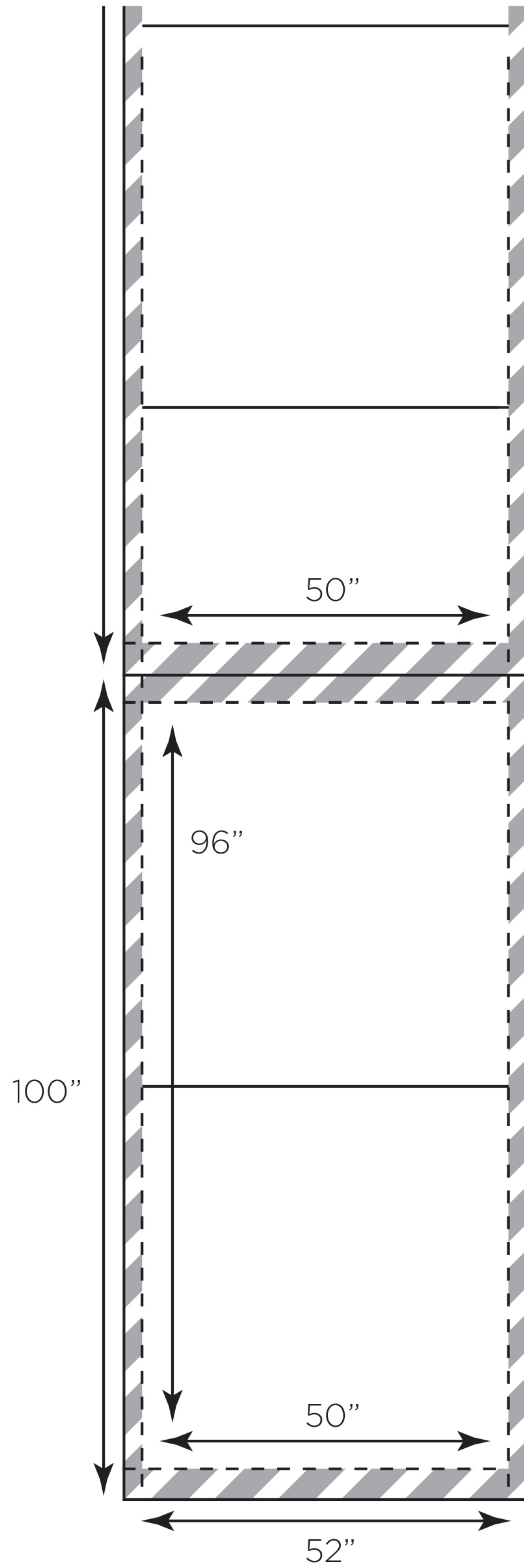


PANEL A FITS TO PANEL B  
B FITS TO A



## DIGS004 | DAYA | SSLP | 50 | TECH PACK 4

WALLPAPER WILL BE DISPATCHED IN ONE CONTINUOUS ROLL FOR THE REQUIRED AMOUNT



©

*Welcome to the Bright Side™*



**DIGS004 | DAYA | SSLP | 50 | TECH PACK 5**

USE THIS SHEET FOR YOUR DRAWING AND CALCULATIONS\*

**WORKSHEET**  
HOW MUCH DO YOU NEED?

**PANEL A** x \_\_\_\_\_

**PANEL B** x \_\_\_\_\_

*\* All calculations are the responsibility of the purchaser*