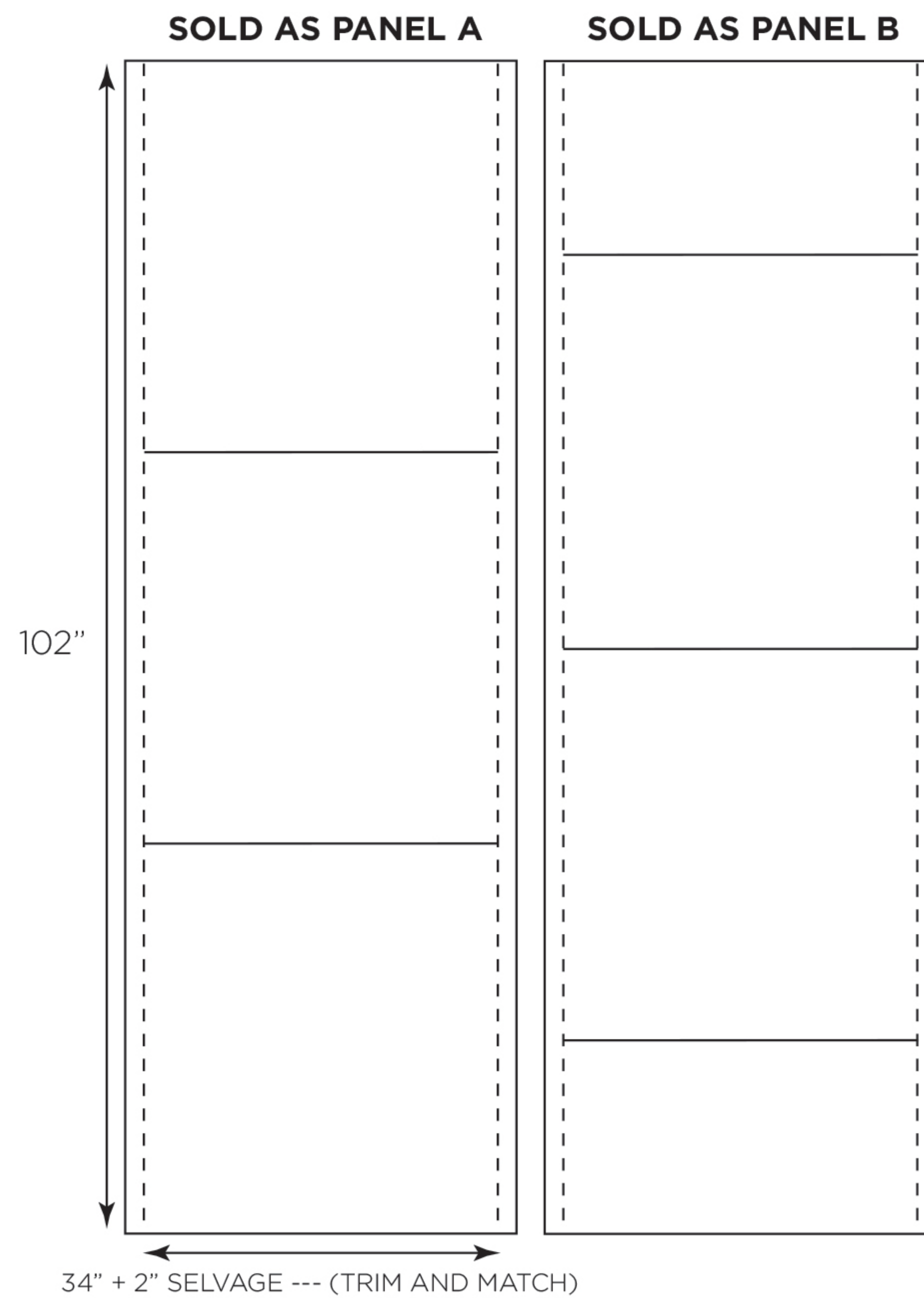
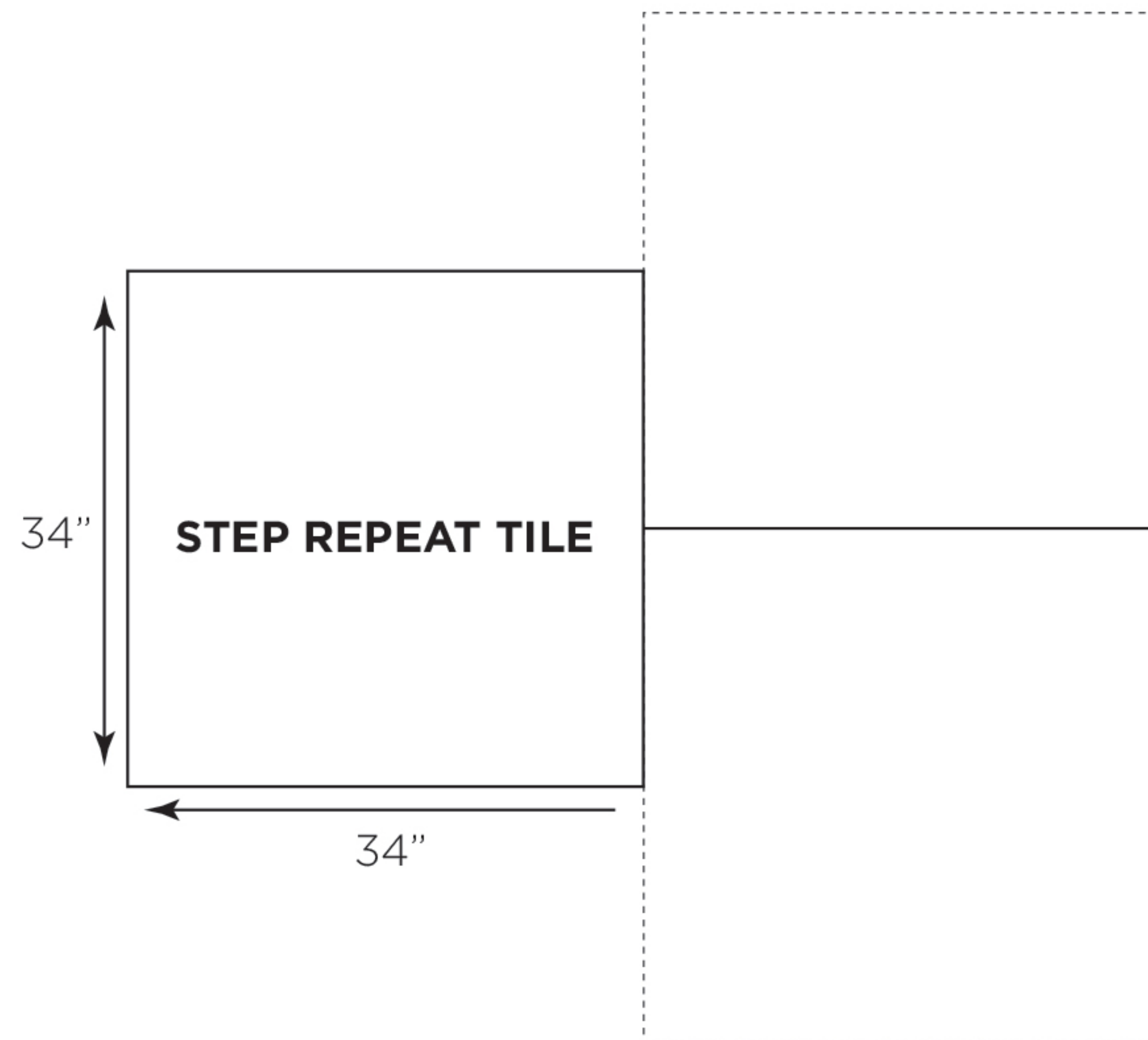




DIGS004 | DAYA | SSLP | 34 | TECH PACK 1

ALL WALLPAPER IS CUSTOM PRINTED TO ORDER
This is a Step Repeat Tile measures 34"

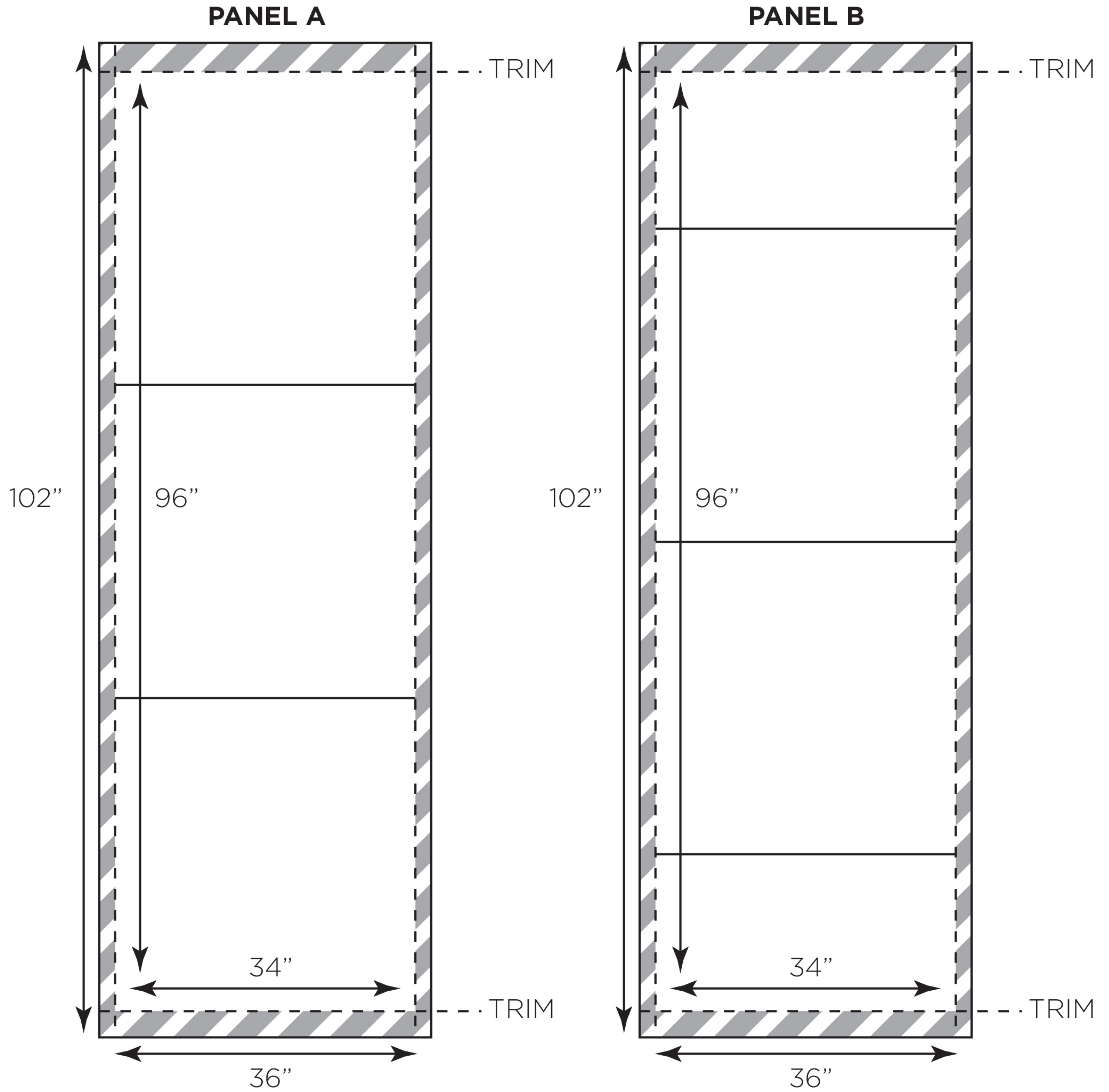


For the installer to trim and match, 1" left and right is in addition to the 34"
Standard ceiling* = 96" this design allows 3" selvage top and bottom of panels to trim and match
*this may vary, please email if you require taller dimensions



DIGS004 | DAYA | SSLP | 34 | TECH PACK 2

ALL WALLPAPER IS CUSTOM PRINTED TO ORDER

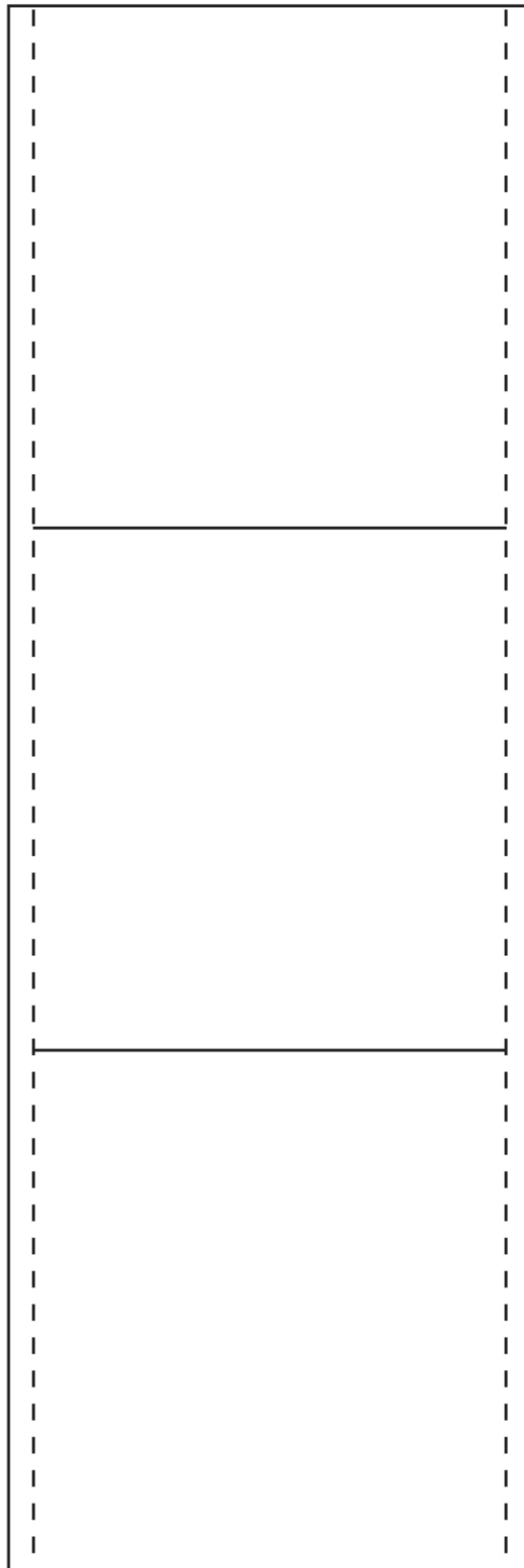




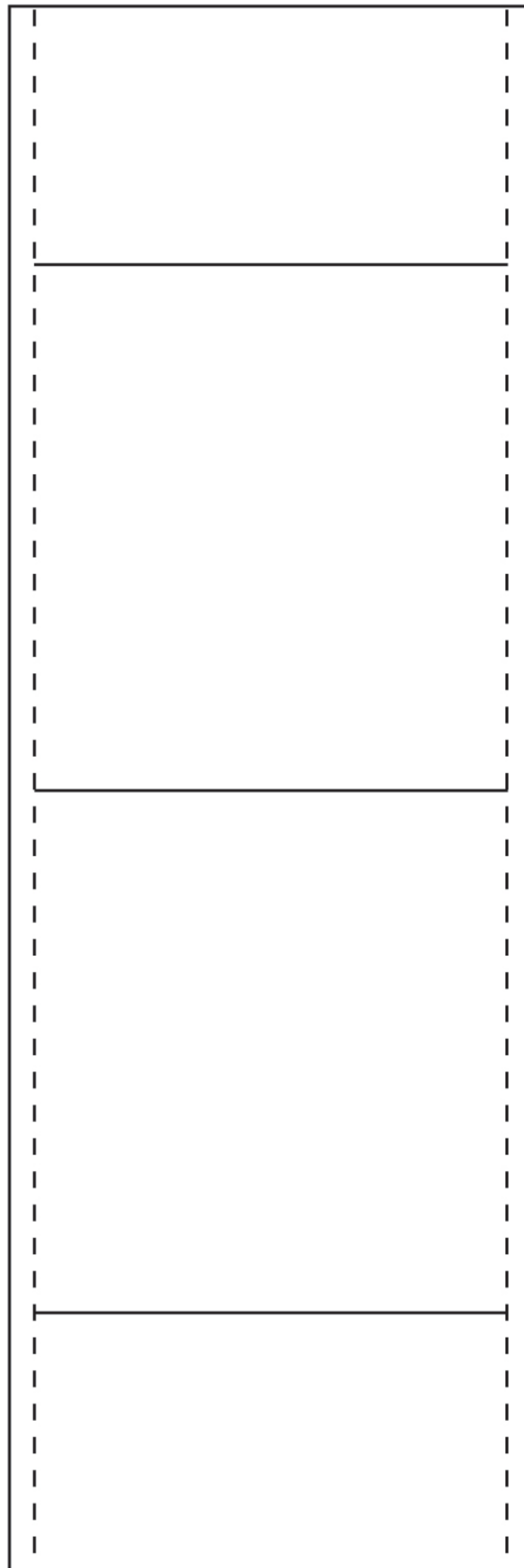
DIGS004 | DAYA | SSLP | 34 | TECH PACK 3

ALL WALLPAPER IS CUSTOM PRINTED TO ORDER

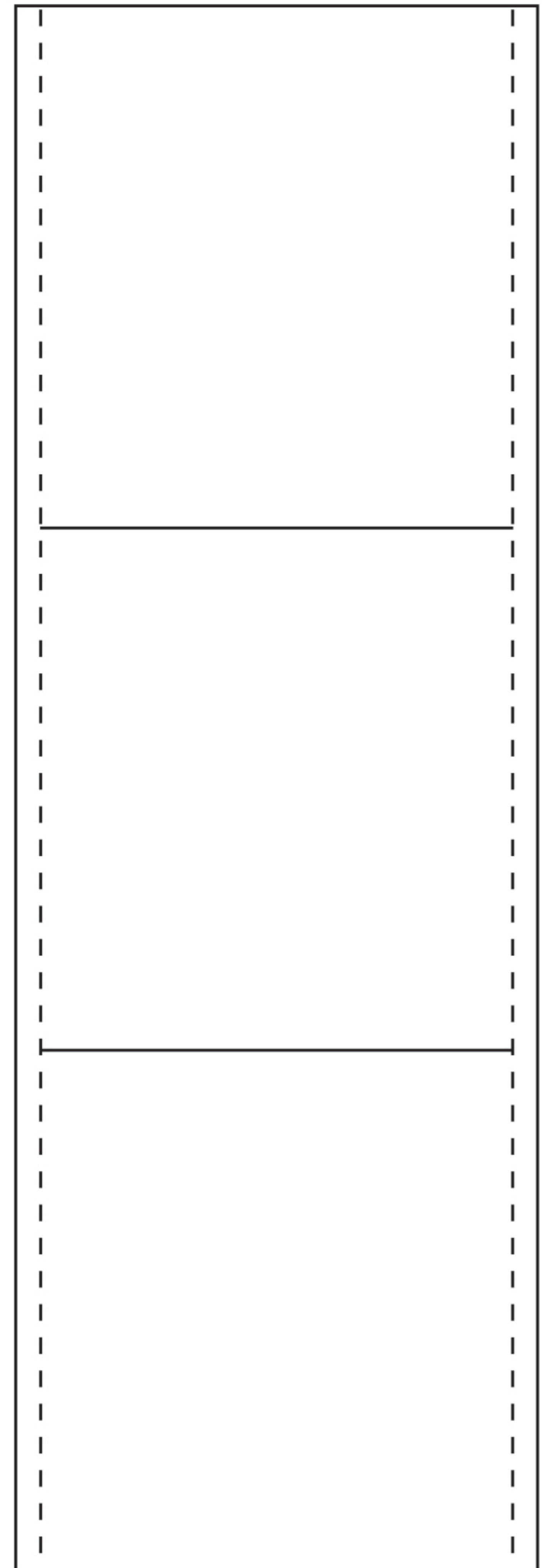
SOLD AS PANEL A



SOLD AS PANEL B



SOLD AS PANEL A

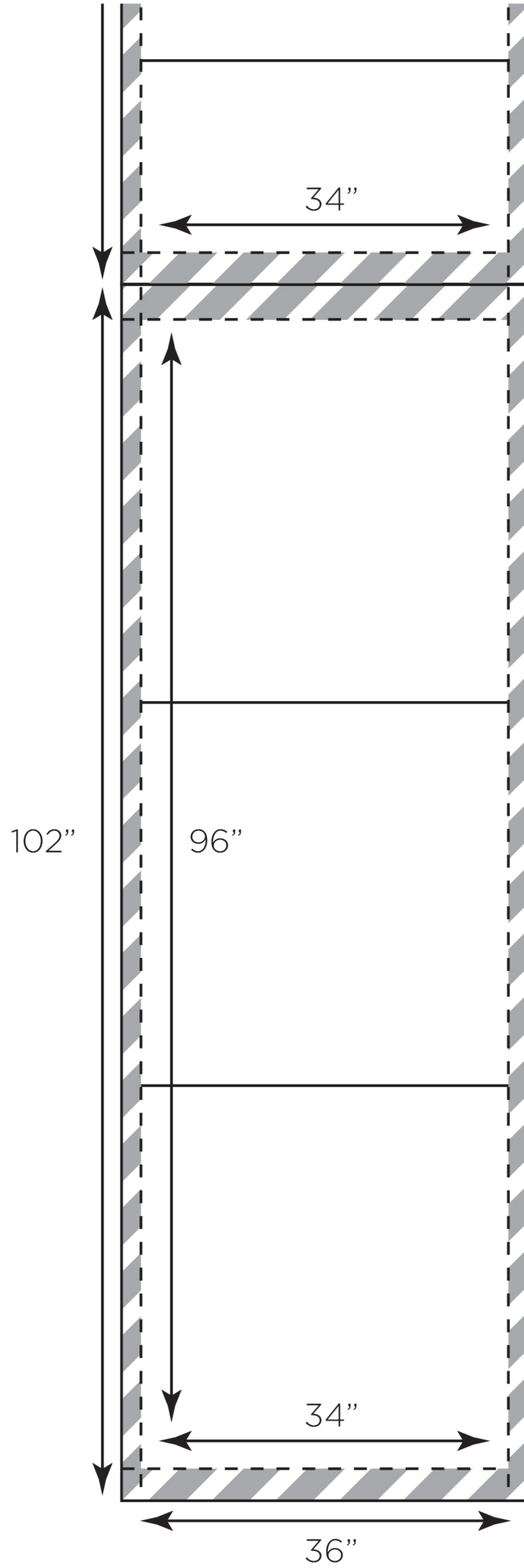


PANEL A FITS TO PANEL B
B FITS TO A



DIGS004 | DAYA | SSLP | 34 | TECH PACK 4

WALLPAPER WILL BE DISPATCHED IN ONE CONTINUOUS ROLL FOR THE REQUIRED AMOUNT





DIGS004 | DAYA | SSLP | 34 | TECH PACK 5

USE THIS SHEET FOR YOUR DRAWING AND CALCULATIONS*

WORKSHEET
HOW MUCH DO YOU NEED?

PANEL A x _____

PANEL B x _____

** All calculations are the responsibility of the purchaser*